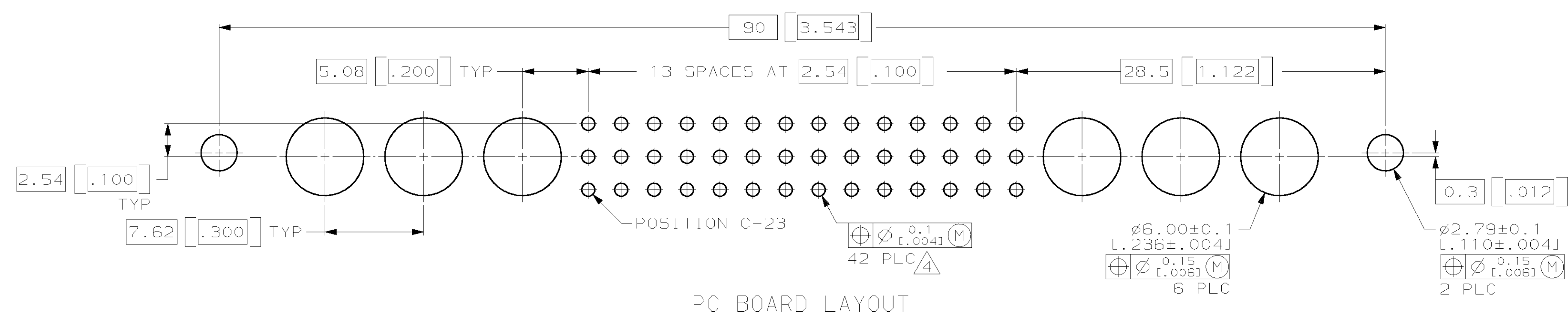
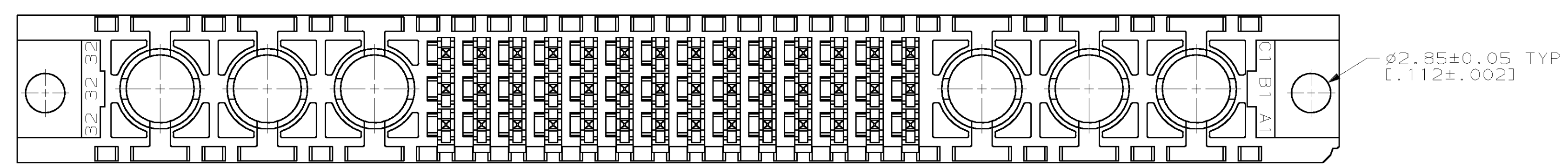
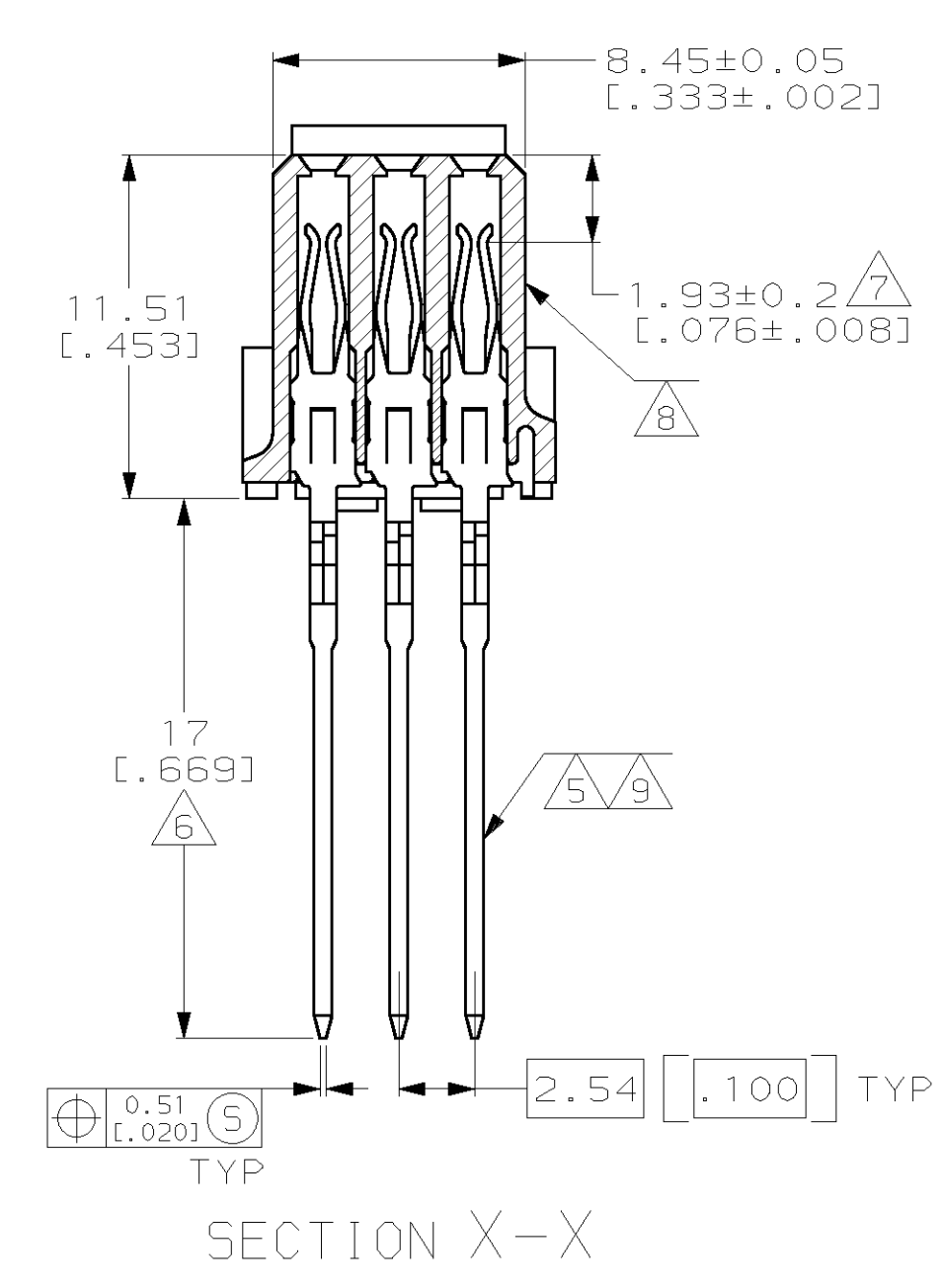
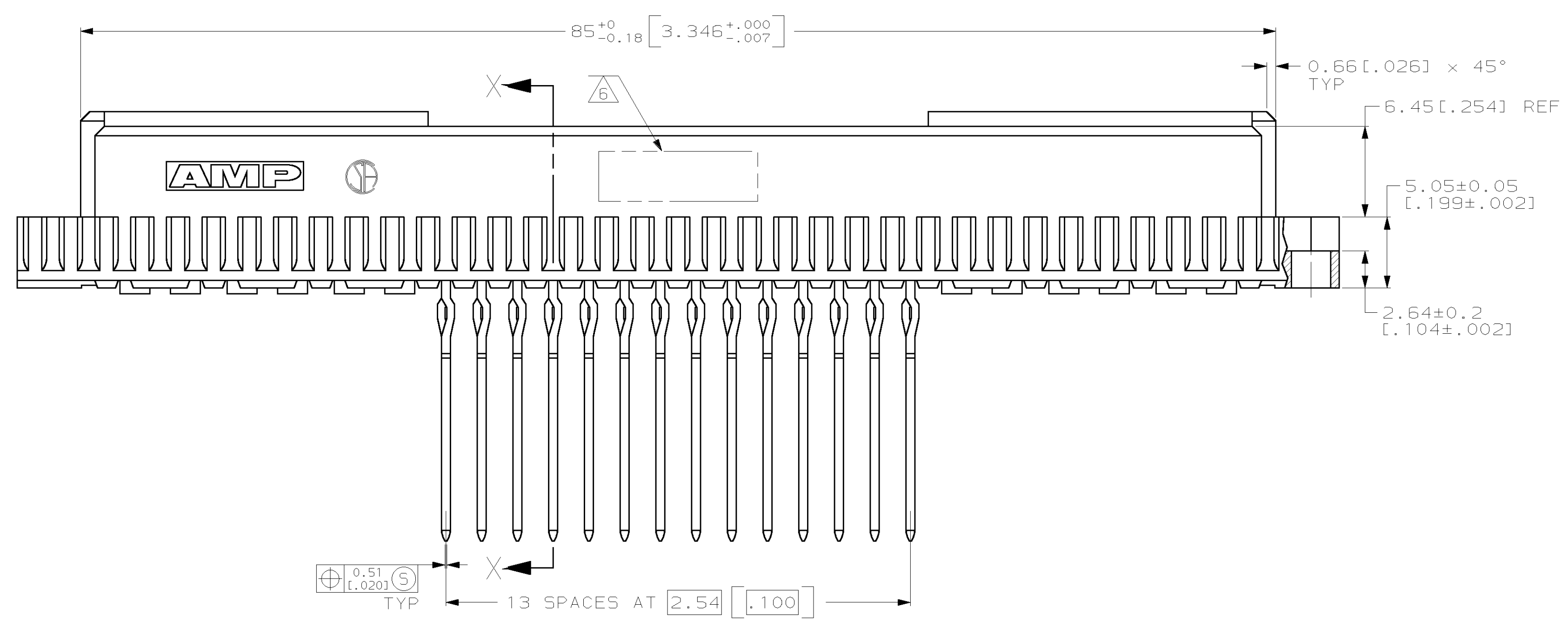
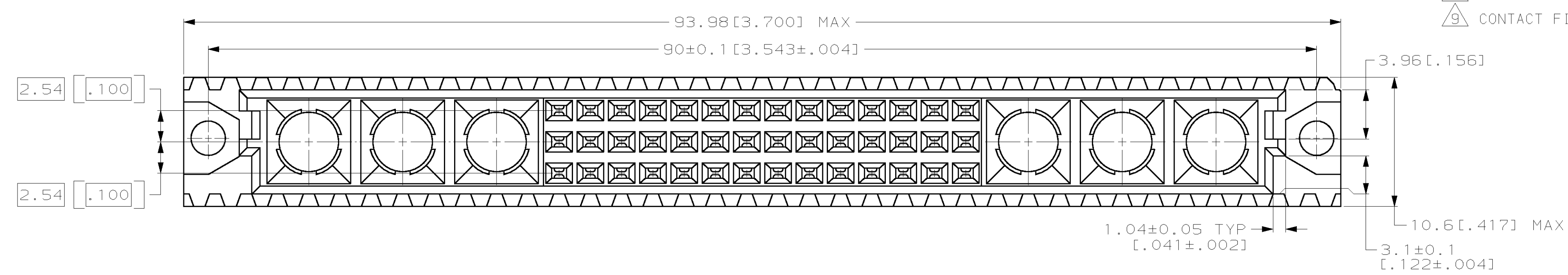


REVISONS		DATE	OWN	APPR
AD	25			
0	DRAWN	-	-	-
A	REV PER EC 0621-80-99	05 APR 99	BC	CR

- ① HOUSING MATERIAL: GLASS-FILLED POLYESTER. COLOR: GRAY.
- ② CONTACT MATERIAL: PHOSPHOR BRONZE.
- ③ PART NUMBER AND DATE CODE HOT STAMPED IN THIS APPROXIMATE AREA.
- ④ ACTION PIN POSTS REQUIRE 1.57[.062] MINIMUM THICK PC BOARD. RECOMMENDED PC BOARD DRILLED HOLES ARE $\phi 1.151 \pm 0.025$ [.0453 \pm .0010] WITH 0.02-0.08 [.001-.003] COPPER AND 0.008 [.0003] MINIMUM TIN-LEAD PLATING. FINISHED HOLES AFTER PLATING $\phi 1.02 \pm 0.08$ [.040 \pm .002].
- ⑤ CONTACT FINISH: DIN 41612 CLASS 2 IN CONTACT AREA. TIN-LEAD PLATE ON POSTS.
- ⑥ TAIL LENGTH AFTER SEATED IN PC BOARD.
- ⑦ CONTACT POINT AFTER SEATED IN PC BOARD.
- ⑧ HOT STAMPING ON THIS SIDE.
- ⑨ CONTACT FINISH: DIN 41612 CLASS 2 IN CONTACT AREA AND LAST 5.08 [.200] OF POST.



⑨	1-148425-5
⑤	148425-5
PART NUMBER	

THIS DRAWING IS A CONTROLLED DOCUMENT.		DWN L. BRINER 10/1/97	AMP Incorporated Harrisburg, PA 17105-3608
DIMENSIONS: mm		CHK R. PATTERSON 10/1/97	
TOLERANCES UNLESS OTHERWISE SPECIFIED:		APPR R. PATTERSON 10/1/97	NAME RECEPTACLE ASSEMBLY, EUROCARD, TYPE M, 42 + 6 POSITION
0 PLC ±	1 PLC ±	PRODUCT SPEC	SIZE CAGE CODE DRAWING NO
2 PLC ±0.13 (.005)	3 PLC ±	APPLICATION SPEC	A1 00779 C-148425
4 PLC ±	5 PLC ±	WEIGHT	RESTRICTED TO
UNLESS	FINISH	CUSTOMER DRAWING	SCALE 4:1 SHEET 1 OF 1 REV A